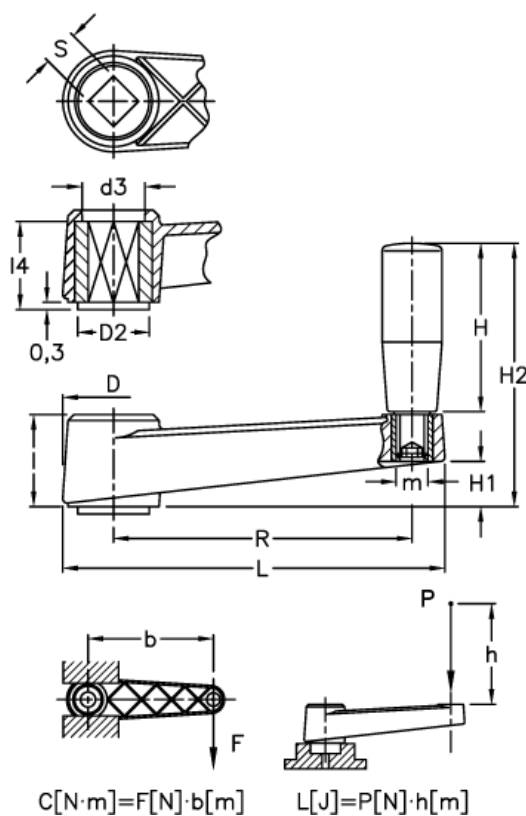


# Data Sheet



Article number: 2301044411  
Description: E+G Crank handle  
MT.130 AS-14x14

## Measures



C (N m) = 350	L = 162
D = 40	L(J) = 45
d2 = 28	l4 = 30
d3 = 25	m = M8
H = 80	R = 130
H1 = 20	S H9 = 14x14
H2 = 115	
l = 35	